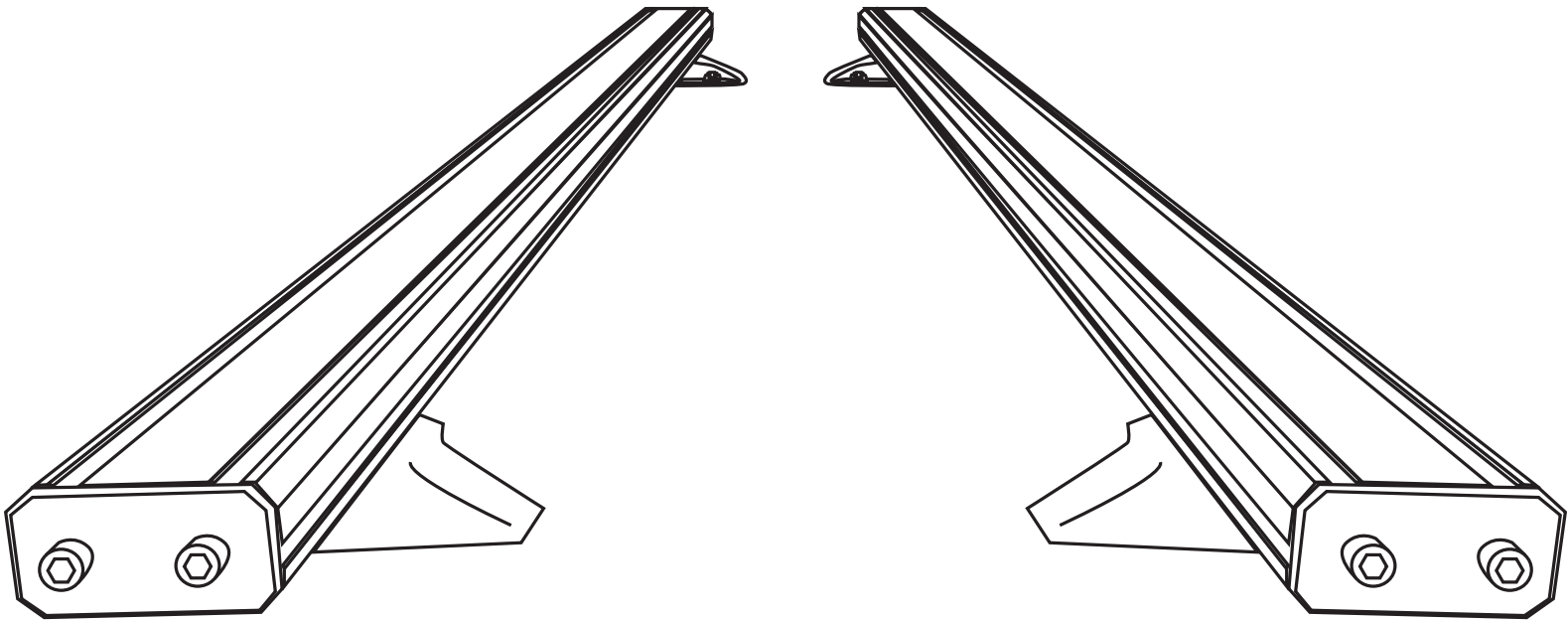




OVS

OVERLAND VEHICLE SYSTEMS

Pro Crossbars with Brackets Instructions



**CAREFULLY READ INSTRUCTIONS
PRIOR TO THE FIRST USE OF THE
PRO CROSSBARS**

Pro Crossbars

SET-UP & CARE INSTRUCTIONS

GET TO KNOW YOUR PRO CROSSBARS

We recommend you check all parts are included prior to first use. Quantities are if Received in Pairs

2x Crossbars
4x Brackets
16x M8 Slider Bolts
16x M8 Washers

16x M8 Nuts
2x End Caps
4x Allen Bolts

INSTALLATION

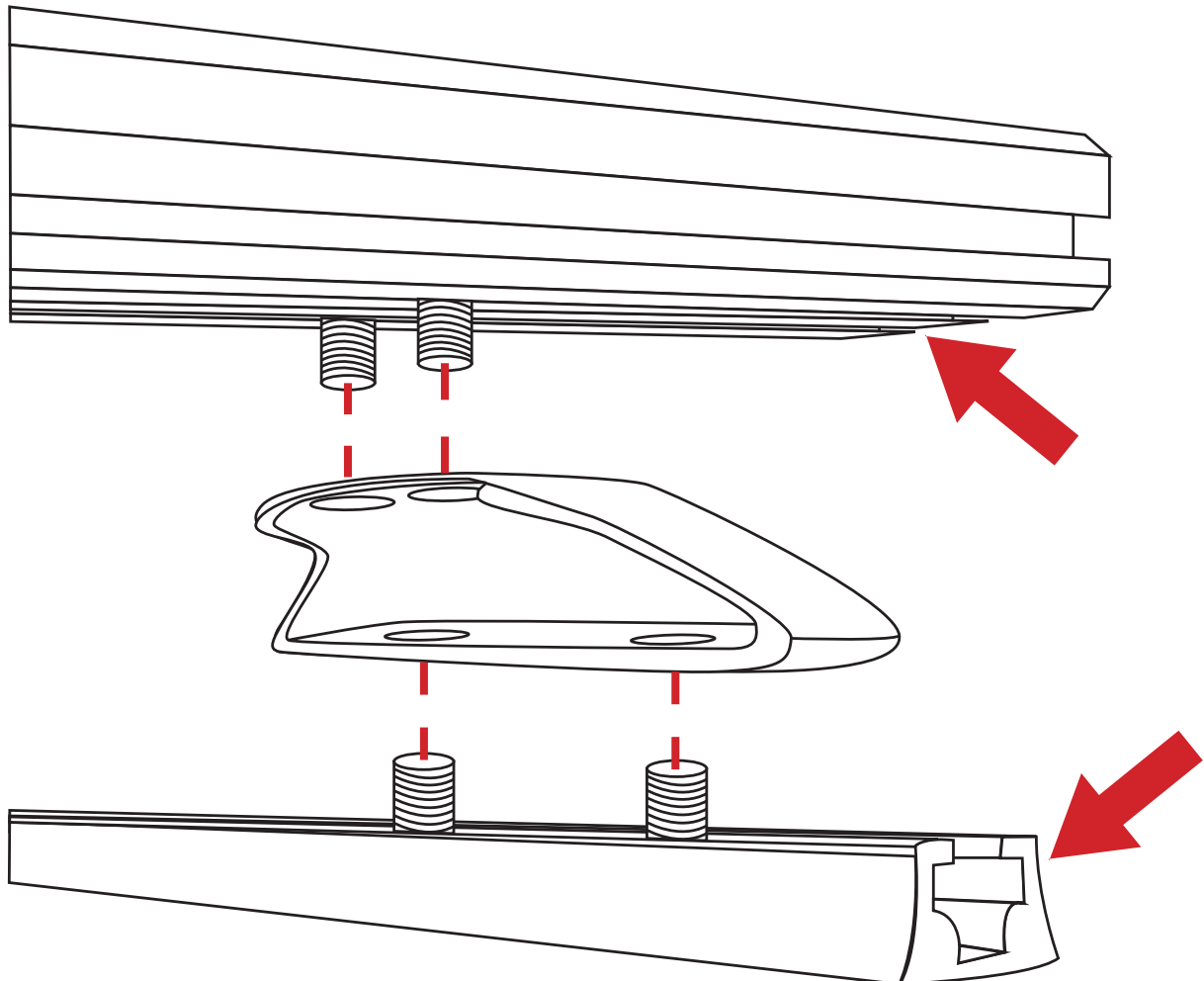
1

Insert 4x M8 Slider Bolts through the bottom channels of the Crossbar
2 will need to be on each side

Then 2x M8 Slider Bolts through the Roof Rail of the Expedition Truck Cap. Repeat for the opposite side roof rail by sliding 2x M8 Slider Bolts.

Then line up the brackets with the top and bottom bolts as seen below

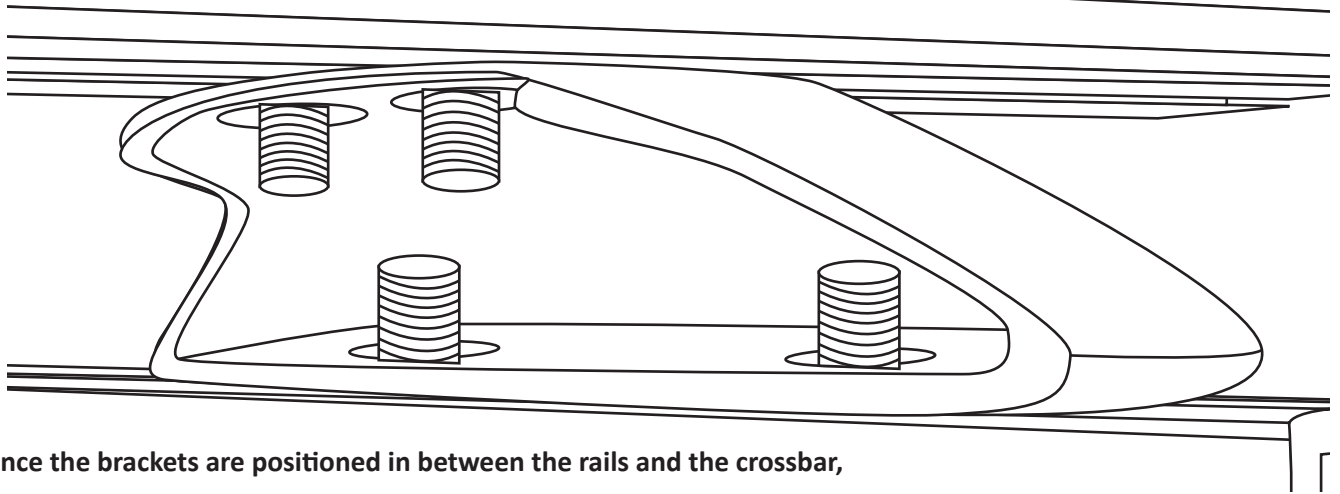
Make sure these steps are complete for both sides of the crossbar



Pro Crossbars

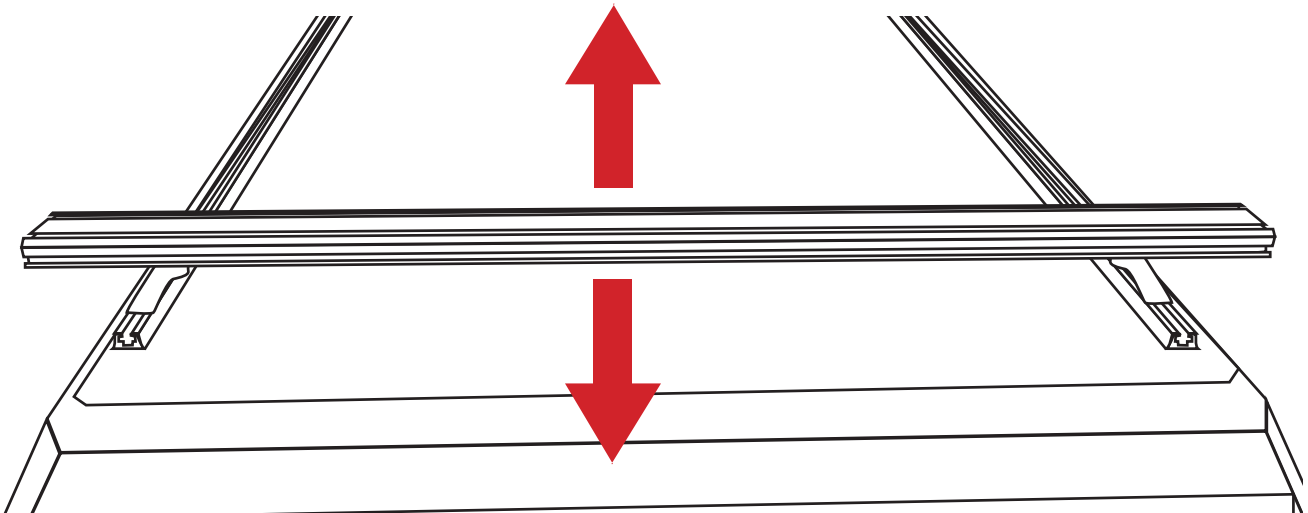
SET-UP & CARE INSTRUCTIONS

2

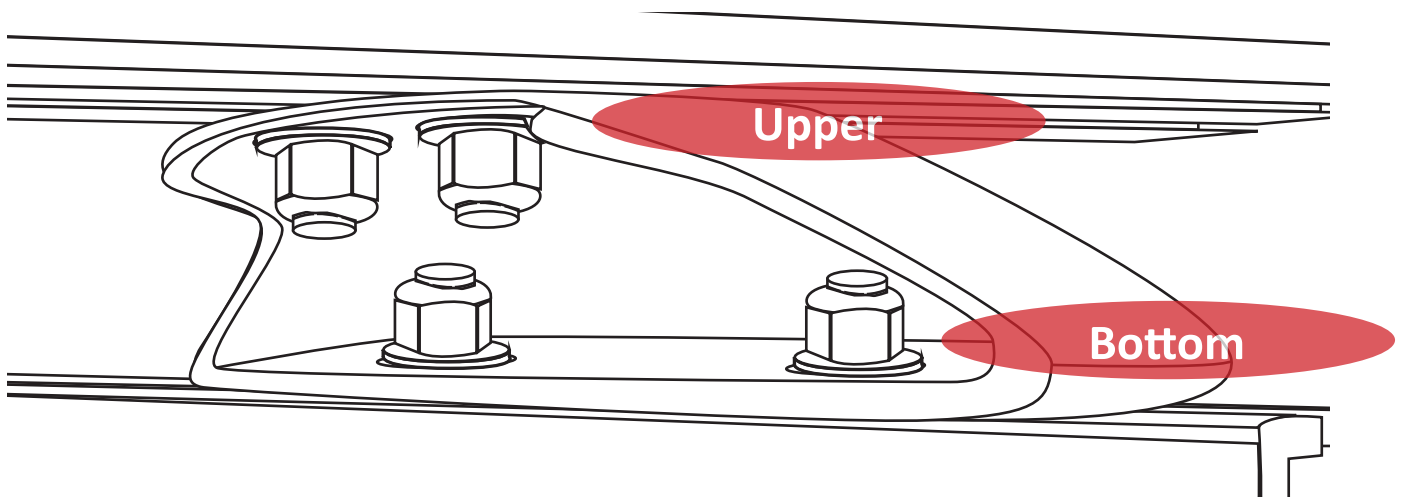


Once the brackets are positioned in between the rails and the crossbar,

Determine where you would like your crossbars to sit on the Roof Rails. Make sure it's at the same measurement on both sides



Add the M8 Washers to every Bolt and Tighten the bottom roof rail bolts using the M8 Nuts on both sides



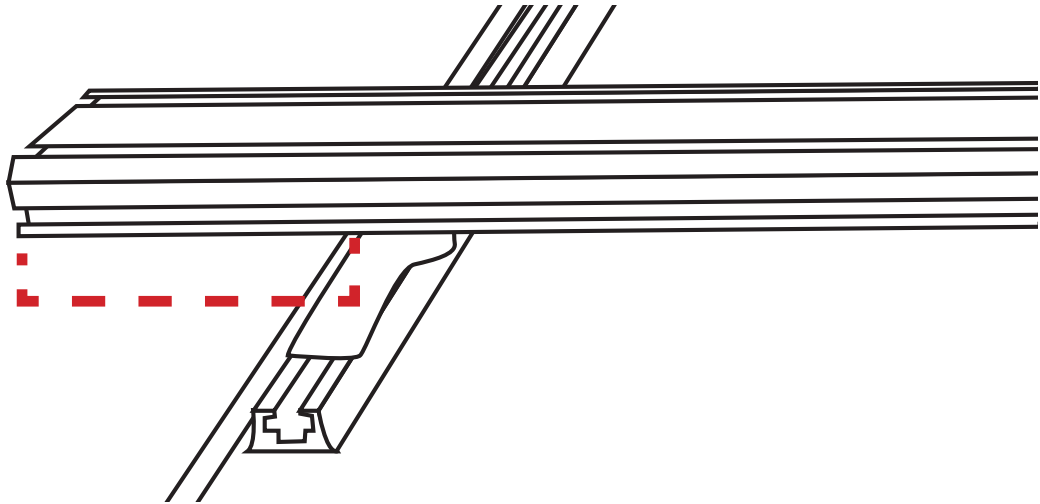
Then Loosely Tighten the Upper Bolts on both sides using the M8 Nuts

Pro Crossbars

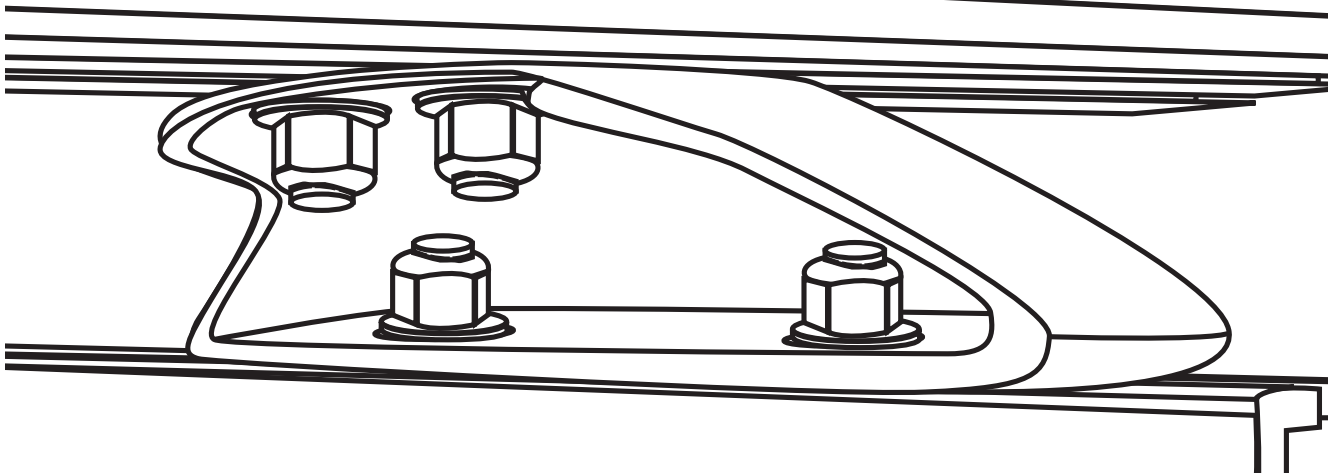
SET-UP & CARE INSTRUCTIONS

3

Once you've tightened the bottom bolts, measure both sides to see if your crossbars are even on both sides. The crossbars need to be the same length on both sides.



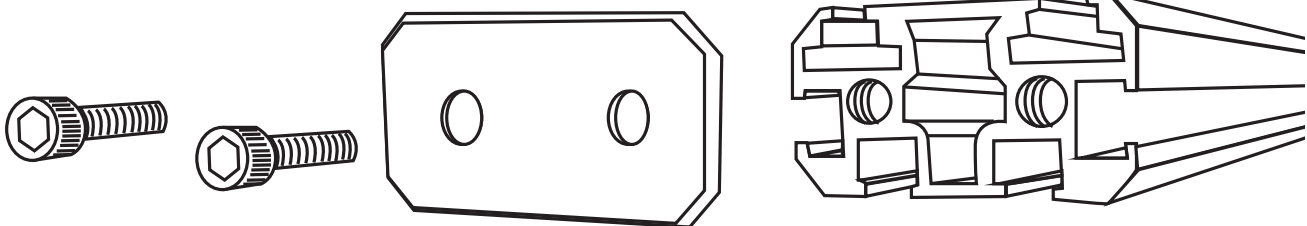
Then proceed to tighten the Upper M8 Nuts on both sides



4

If you are installing an awning, accessory, or any mounting to the crossbar, install that before starting this step.

Position the End Cap Plate onto the End of each crossbar
Then screw in the Allen Bolts and Tighten with an Allen Key. Do not overtighten.



PERFORMANCE TIPS

- Retorque all hardware after initial installation.
- Check hardware before long trips or trail use.
- Distribute weight evenly for improved stability.
- Keep heavier gear centered and low when possible.
- Use quality tie-down straps and mounting accessories.
- Periodically clean crossbars and mounting channels.
- Apply anti-seize to hardware in wet or salty environments.
- Remove mud, sand, and debris after off-road use.
- Keep accessory mounts tightened and aligned.
- Reduce wind noise by securing loose straps and gear.
- Store unused accessories indoors when possible.
- Inspect crossbars regularly for wear or corrosion.
- These crossbars must not exceed 1000 LBS of Cargo Load

WARRANTY

Limited Lifetime Warranty

WARNINGS

- **Read all installation instructions before use.**
- **Verify all hardware is tightened before driving.**
- **Recheck hardware periodically, especially after off-road use.**
- **Do not exceed the vehicle or crossbar load capacity.**
- **Evenly distribute cargo across both crossbars.**
- **Secure all cargo properly before driving.**
- **Do not carry loose, shifting, or improperly mounted loads.**
- **Use caution with oversized loads in high winds.**
- **Increased vehicle height may reduce clearance.**
- **Heavy loads may affect vehicle handling and braking.**
- **Do not use damaged or bent crossbars.**
- **Inspect mounting points and hardware regularly.**
- **Keep loads clear of moving vehicle components.**
- **Remove cargo when not in use to reduce stress and wind drag.**
- **Failure to properly install or secure cargo may result in injury or damage.**



DO YOU NEED OUR HELP?



CUSTOMER SUPPORT 833-226-4863



SALES@OVERLANDVEHICLESYSTEMS.COM

WANT TO SHOW US YOUR RIG?
CHECK OUT OUR SOCIAL!

@overlandvehiclesystems



MAY 2026